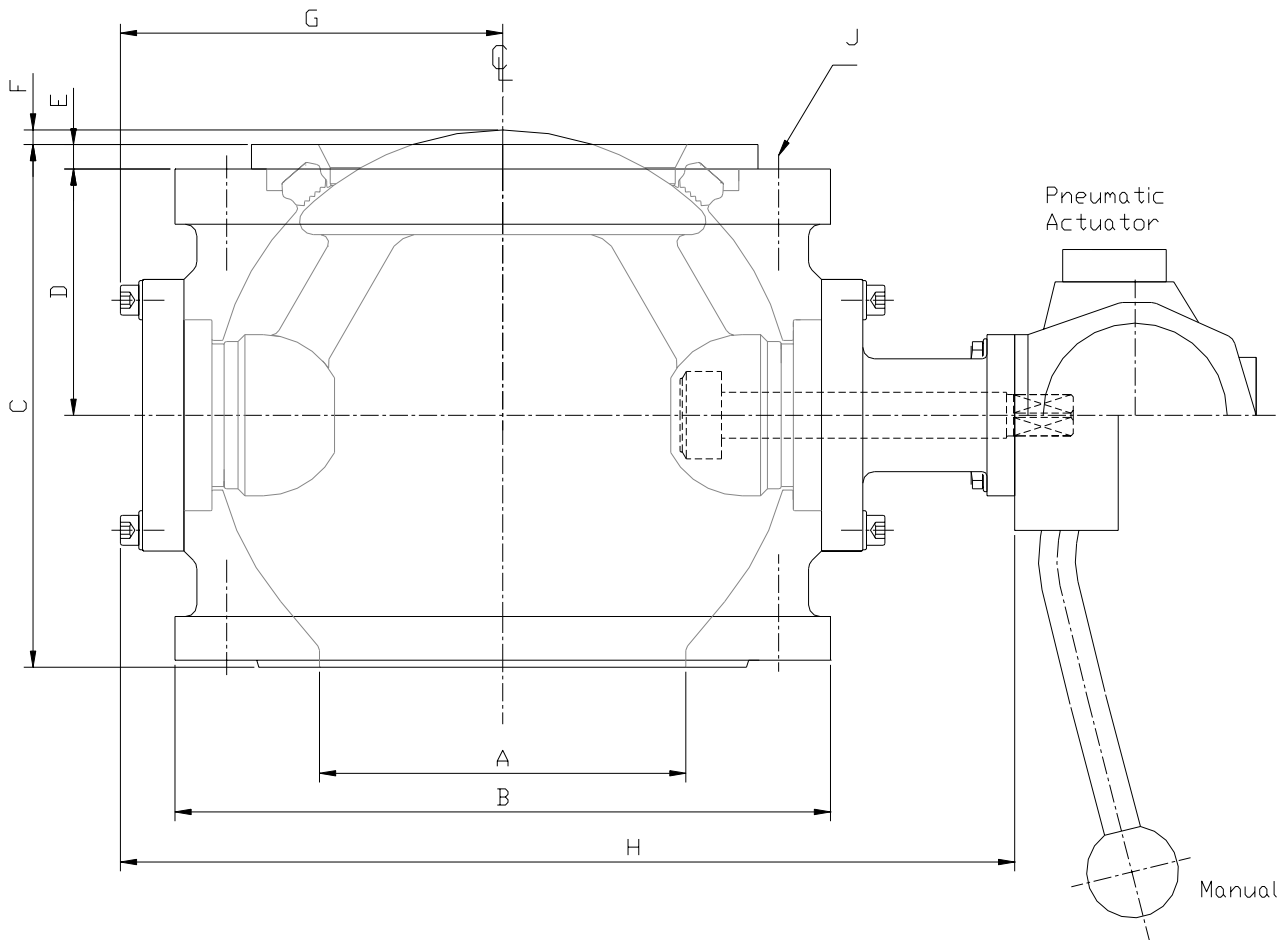


## Sizes and dimensions.



Valve Size	A	B	C	D	E	F	G	H	I			WEIGHT Kg
									M	P.C.D	no.	
100 mm	107	220	197	98	15	-16,5	138	333	M16	180	8	22
150 mm	159	285	216	107	15	1,5	166	389	M20	240	8	35
200 mm	207	340	305	145	15	4	215	489	M20	295	8	65
250 mm	260	395	331	155	15	21	252	562	M20	350	12	100
300 mm	309	445	374	177	15	26	282	621	M20	400	12	128
350 mm	On request											
400 mm	On request											
450 mm	On request											
500 mm	On request											

Valve Size	A	B	C	D	E	F	G	H	I			WEIGHT Kg
									UNC	S.T.C.	no.	
4"	4"	9"	7 3/4"	3 7/8"	19/32"	- 21/32"	5 1/2"	13 1/8"	5/8"	7,5	8	22
6"	6"	11"	8 1/2"	4 1/8"	19/32"	3/64"	6 9/16"	15 5/16"	3/4"	9,5	8	35
8"	8"	13 1/2"	12 "	5 11/16"	19/32"	5/32"	8 1/2"	18 5/8"	3/4"	11,75	8	65
10"	10"	16"	13 "	6 1/8"	19/32"	13/16"	9 15/16"	22 1/8"	7/8"	14,25	12	100
12"	12"	19"	13 3/8"	7 "	19/32"	1 11/16"	11 3/32"	4 7/16"	7/8"	17	12	128
14"	On request											
16"	On request											
18"	On request											
20"	On request											